

EQUIP. TYPE *R-390A/URR* EXP. NO.

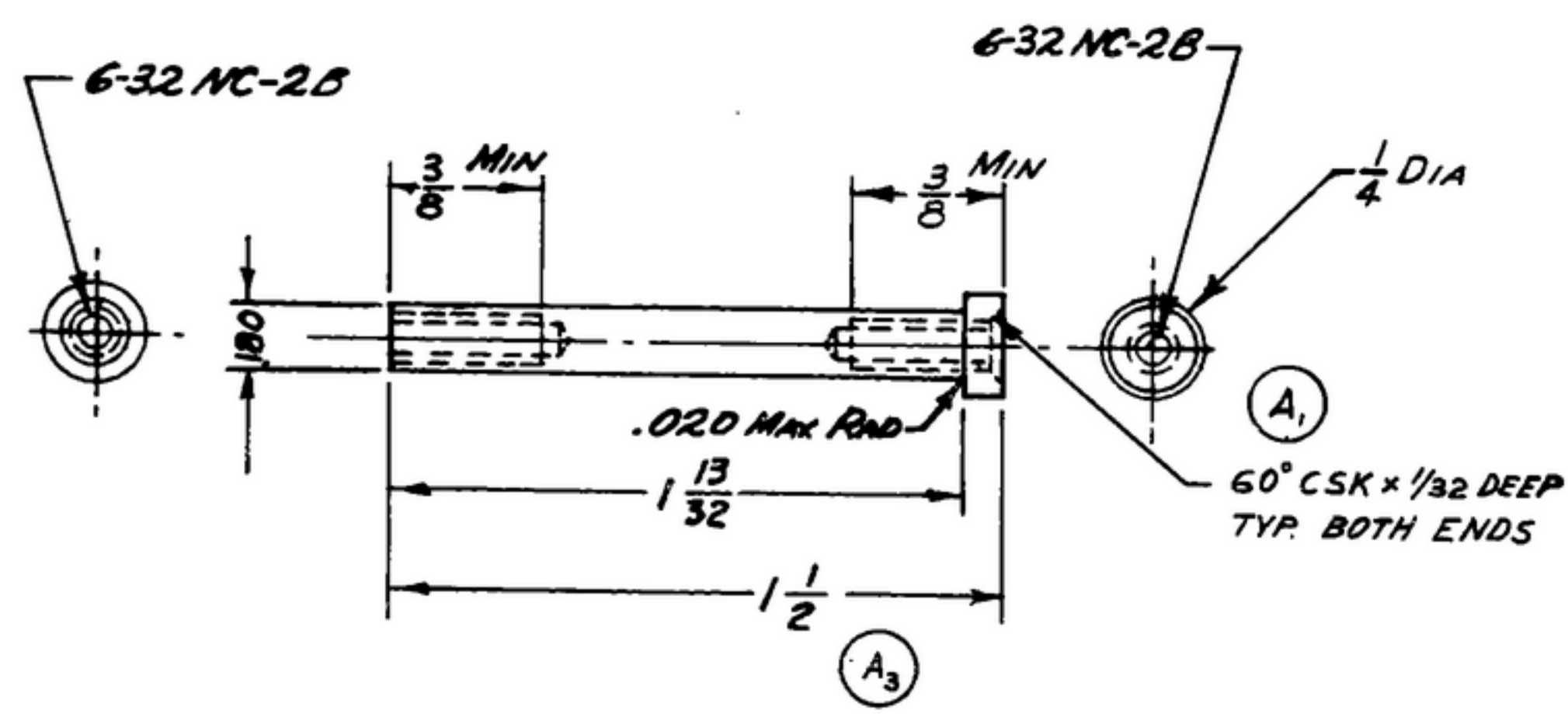
COL 540 1279 002

NOTICE: WHEN GOVERNMENT DRAWINGS, SPECIFICATIONS, OR OTHER DATA ARE USED FOR ANY PURPOSE OTHER THAN IN CONNECTION WITH A DEFINITELY RELATED GOVERNMENT PROCUREMENT OPERATION, THE UNITED STATES GOVERNMENT THEREBY INCURS NO RESPONSIBILITY FOR ANY OBLIGATION WHATSOEVER AND THE FACT THAT THE GOVERNMENT MAY HAVE FORMULATED, FURNISHED, OR IN ANY WAY SUPPLIED THE SAID DRAWINGS, SPECIFICATIONS, OR OTHER DATA IS NOT TO BE REGARDED BY IMPLICATION OR OTHERWISE AS IN ANY MANNER LICENSING THE HOLDER OR ANY OTHER PERSON OR CORPORATION, OR CONFERRING ANY RIGHTS OR PERMISSION TO MANUFACTURE, COPY, OR SELL ANY PATENTED INVENTION THAT MAY IN ANY WAY BE RELATED THERETO.

THIS DOCUMENT HAS BEEN PURCHASED BY THE GOVERNMENT AND MAY BE REPRODUCED AND USED IN CONNECTION WITH ANY GOVERNMENT PROCUREMENT OR MAINTENANCE OPERATION.

* FOR INFORMATION ONLY. CONTRACTOR MAY AT HIS OPTION DEVIATE FROM THESE PROCESS DETAILS.

REVISIONS			
SYM	DESCRIPTION	DATE	APPROVAL
SYM PR1002-6	A1-ADDED C'SINK; A2 2024 WAS 245	15 OCT 59	42438-PC-59
A4	A1-ADDED C'SINK; A2 2024 WAS 245 A3-REMOVED TOL.; A4 RENUMBERED NOTES	15 OCT 59	REFD PME



- NOTES ^(A1) ^(A2)
- ALUMINIUM ALLOY 2024 TEMPER T4, PER SPEC QQ-A-267
 - FINISH: E514 PER SPEC MIL-F-14072.
*COLLINS 580 0033 00.
 - ALL SCREW THREADS PER BUREAU OF STANDARDS HANDBOOK H28.

COLLINS PART NO.	ITEM	REQD.	QTY	DESCRIPTION	MATL.	MATL. SPEC.
LIST OF MATERIAL						
COLLINS PART NO. <i>580 0211 002</i>						

580 0211 002	SM-D-248801	SC-DL-248775
COLLINS NO.	NEXT ASSY	USED ON
APPLICATION		

DRAWN *Hamer* CHECKED *AM* APPROVED

UNLESS OTHERWISE SPECIFIED:
 DECIMAL DIMENSIONS INCLUDING HOLE SIZES MAY VARY ±.008
 FRACTIONAL DIMENSIONS INCLUDING HOLE SIZES MAY VARY ±1/64
 MACHINED ANGLES MAY VARY ±.1°
 SHEARED ANGLES MAY VARY ±.25°
 BROKEN ANGLES MAY VARY ±.1°
 ECCENTRICITY BETWEEN ANY DIAMETERS ON THE SAME CENTERLINE SHALL NOT EXCEED .010 TOTAL INDICATOR READING.
 ALL DIMENSIONS ARE FINISH DIMENSIONS INCLUDING APPLIED FINISH AND ARE GIVEN IN INCHES.

COLLINS RADIO CO.
 CEDAR RAPIDS, IOWA
1421A-PH-51-93

SIGNAL CORPS

REVIEWED *PME*

APPROVED *HLV*
PME

DATE *7 DEC 55* SCALE *2/1*

DEPARTMENT OF THE ARMY
 SIGNAL CORPS ENGINEERING
 LABORATORIES
 FORT MONMOUTH NEW JERSEY

SM-B-248864